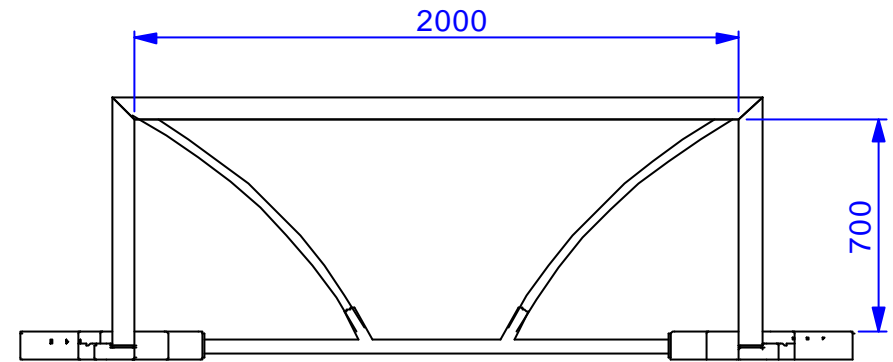
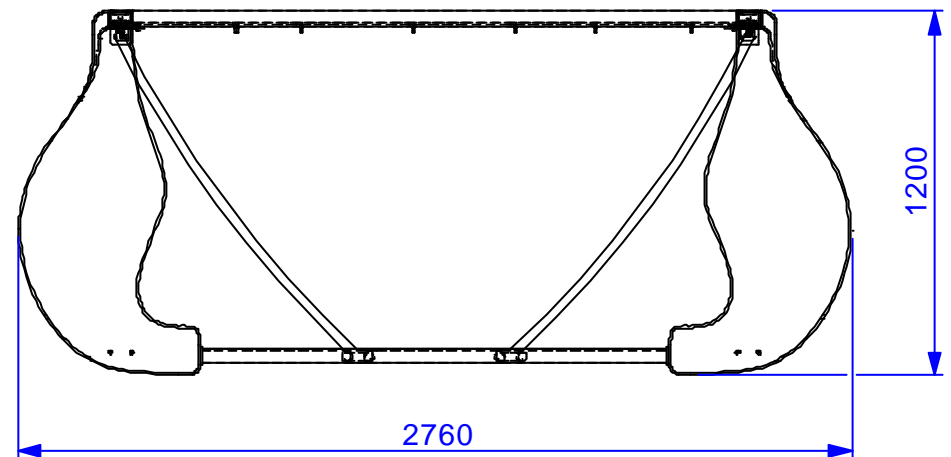
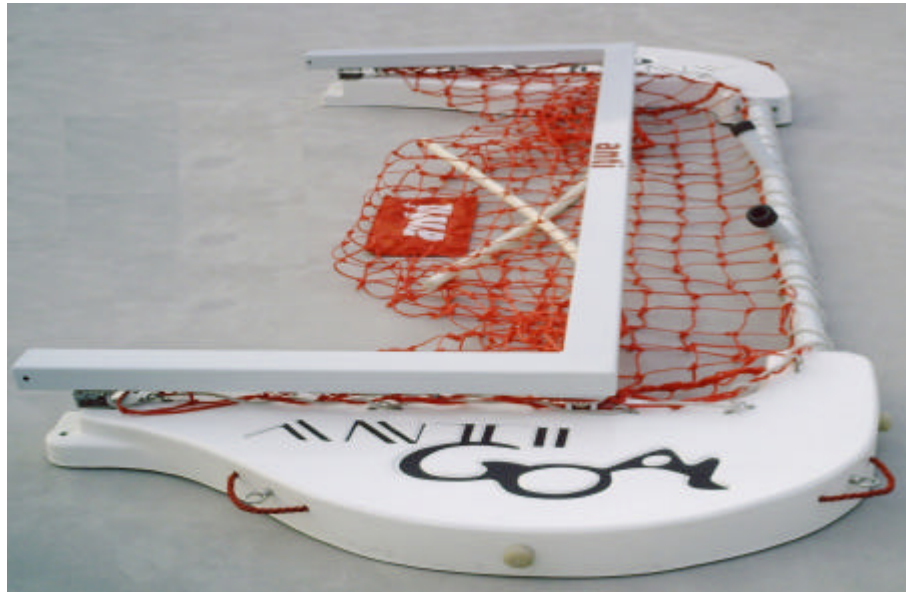


# Anti Wave Junior Folding Floating Goal for Flippa Ball

Position a: Play



Position b: Folded



**PROPRIETARY AND CONFIDENTIAL**  
The information contained in this drawing is the sole property of ANTI WAVE, any reproduction in part or as a whole without the written permission of ANTI WAVE is prohibited.

Project Name:  
Junior Folding Floating Goal

Product Name:  
Junior Folding Floating Goal

Project No. AWE00450

Product No. 01

Drawn Date 2007-04-26

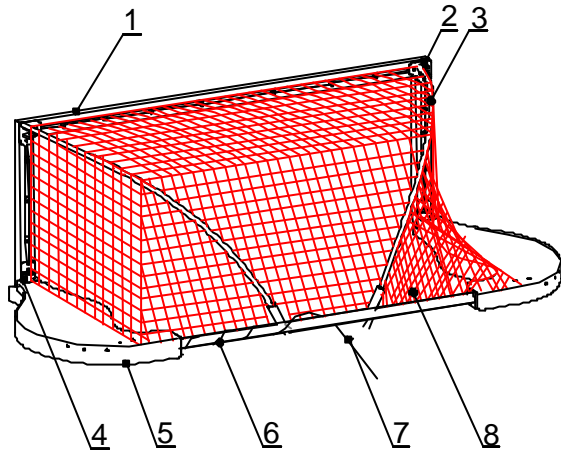
Verify Date

©ANTI WAVE 2007

Drawn Philip Scale No Patents 2001285610;7100219;4048677;01818714.5 & 2003/2920 e.g.

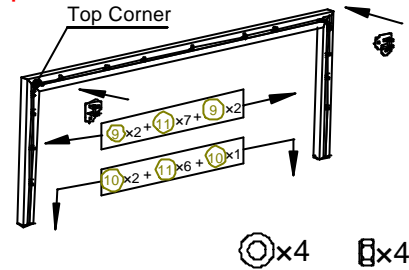
# Junior Folding Floating Goal for Flippa Ball

## General Sketch



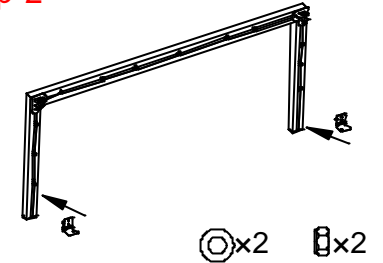
| No. | Name                    | Qty |
|-----|-------------------------|-----|
| ①   | Front frame             | 1   |
| ②   | Aluminium Heart Casting | 2   |
| ③   | Plastic Tube            | 2   |
| ④   | SS Hinge                | 2   |
| ⑤   | Small GRP Float         | 2   |
| ⑥   | Aluminium Back Tube     | 1   |
| ⑦   | White Rope              | 1   |
| ⑧   | Red Net                 | 1   |
| ⑨   | SS Hinge                | 2   |
| ⑩   | Big M8x30 Slide Block   | 4   |
| ⑪   | Small M8x30 Slide Block | 4   |
| ⑫   | Eyelets                 | 13  |
| ⑬   | M8x30 Round Head Bolt   | 4   |
| ⑭   | M8x55 Countersunk Bolt  | 2   |
| ⑮   | M8 Lock Nut and Washer  | 20  |
| ⑯   | M8 Eye Bolt             | 4   |

## Step 1



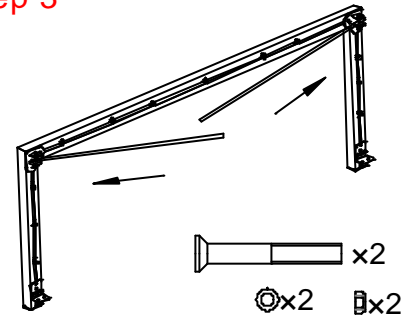
Open the Parts Bag, take out Slide Blocks and Eyelets, Slide them as above from top corner of Front Frame, then use Big Slide Block, Washer and Lock Nut to fix the Heart casting to Front Frame.

## Step 2



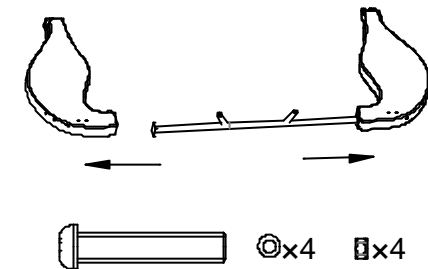
Insert the SS Sticks of SS Hinge to the holes of the Front Frame, use small Slide Blocks, M8 Lock Nuts and Washers to fix the SS Hinge to the Front Frame. Note that the bolts are not tight.

## Step 3



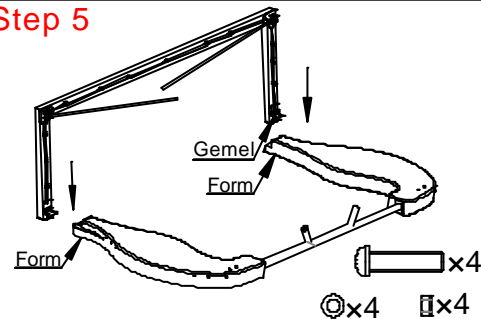
Insert the Plastic Tube into the Alu plate of the Heart Casting, use M8x55 Countersunk Bolts, Washers and Lock Nuts to fix the Plastic Tube to the Front Frame.

## Step 4



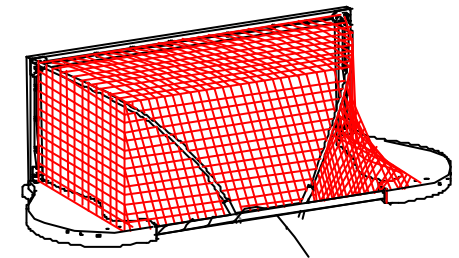
Use the M8x40 Round Head Bolts, Washers and Lock Nuts to fix the Small GRP Floats to the Back Tube.

## Step 5



Take off the Foams in the front of GRP Floats, use M8x30 Round Head Bolts, Washers and Lock Nuts to fix the Floats to the Front Frame. Don't forget to fix the Foams again.

## Step 6



Use White Rope to fix the Red Net to the Alu Eyelets and SS Saddles of GRP Floats, lace it around the Back Tube.



**PROPRIETARY AND CONFIDENTIAL**  
The information contained in this drawing is the sole property of ANTI WAVE, any reproduction in part or as a whole without the written permission of ANTI WAVE is prohibited.

Project Name: Junior Folding Floating Goal

Product Name: Junior Folding Floating Goal

Project No. AWE00450

Product No. 02

Drawn Date 2007-04-26

Verify Date

©ANTI WAVE 2007

Drawn Philip Scale No Patents 2001285610; 7100219; 4048677; 01818714.5 & 2003/2920 e.g.